

# INSTRUCTIONS AND REPAIR PARTS LIST

## GBF175 GAME BIRD FEEDER and GBF175Q QUAIL FEEDER

**REPAIR PARTS LIST** – See Exhibit A on page 3 for location of parts.

Ref. No.	Part No.	Description	Quantity
1	GBF1505	Cover	1
2	GBF1502	Upper Body	1
3	GBF1504	Rain Shield	1
4	GBF1501	Lower Body	1
5	GBF1503	Pan, 30" Diameter, or	1
5	GBF1503Q	Pan, 26" Diameter	1
6	GBF1509	Feed Adjustment Section	3
7	GBF1507*	Adjustment Leg, Lower Body to pan	3
NOTE: If you have purchased GBF1515 Extension, you will also receive 3 more legs. Use all 6 legs when you add the extension			
8	GBF1508*	Chain, 12", Cover to Upper Body	1
9	OF12*	14-20 x 3/4 Hex Head Cap Screw, Zinc	2
10	OF494*	1/4-20 x 1 Hex Head Type F Thread Cutting Screw, Zinc	4
11	OF55*	1/4-20 Hex Nut, Zinc	12
12	OF175*	1/4-20 x 5/8 Weld Screw, HW2110, Zinc	9
13	OF401*	1/4-20 Weld Nut, RHZ2138, SS	3
	GBFHDWE	Hardware Bag for GBF175, includes items with *	1
	ISBGBF	Instruction Sheet	1

### ASSEMBLY INSTRUCTIONS

- STEP 1:** Take the lower body (Ref. No. 4) and locate the 3 drill points about 1-1/2 inches from the lower edge. Drill a 9/32" diameter hole in each of the three locations. See Exhibit B. NOTE: If you are attaching an extension, position 3 more legs equidistant between the first 3 legs. There are no drill points for the second set of 3 legs.
- STEP 2:** Attach the legs to the lower body using the holes you just drilled and attaching the upper of the 10 holes of the legs. Attach using 1/4-20 x 5/8 weld screws and three 1/4-20 nuts (Ref. Nos. 11 and 12). Snug the nuts. Do not tighten. Note that the legs go on the outside of the lower body. Also note that the foot of each leg points outwardly away from the center of the body. The flat head of Ref. No. 12 must be on the outside of the lower body with Ref. No. 11 nut on the inside. Using the upper holes of the legs results in the highest position of the rain shield. The outside edge of the rain shield will be about 10 inches from the ground. You can lower the rain shield if you know the height you want or wait until STEPS 8 and 9 below where you can evaluate the height using the rain shield.
- A common height used by pheasant producers results in a 3.5 inch gap between the edge of the rain shield and the top of the trough -- the width of a 2 x 4 placed on the edge. To achieve this gap, attach the sixth hole from the top of the bracket to the top hole of the lower body and attach the eighth hole from the top of the bracket (third from bottom) to the bottom hole of the lower body. The outside edge of the rain shield will be about 7.5 inches from the ground.
- STEP 3:** Making sure the legs hang vertically from the lower body, drill another hole in each location with the hole drilled two holes down from the first attachment. See Exhibit B. In other words, leave a hole in the leg between the 2 holes used for attachment. You may want to use a C-clamp to hold each leg in place as you drill the second hole.
- STEP 4:** Attach the next hole in the leg to the lower drilled hole in the lower body using three 1/4-20 x 5/8 weld screws and three 1/4-20 x 1 weld nuts (Ref. Nos. 12 and 13). Just snug these nuts. Do not tighten.
- STEP 5:** Place the lower body in the center of the pan by positioning the legs equidistantly from the edges of the pan. Mark the holes in the foot of the leg where the holes rest on the pan (i.e. mark the hole locations with a pen or marker.)

### MODEL NUMBER

The MODEL NUMBERS are: GBF175 Game Bird Feeder or GBF175Q Quail Feeder

### WHEN ORDERING PARTS

- (1) Show MODEL NUMBER and NAME: Example - GBF175 Game Bird Feeder  
 (2) Show PART NUMBER and FULL DESCRIPTION of part: Example - 89-31515 Chain.

### HOW TO ORDER PARTS

Repair parts may be ordered from your dealer.

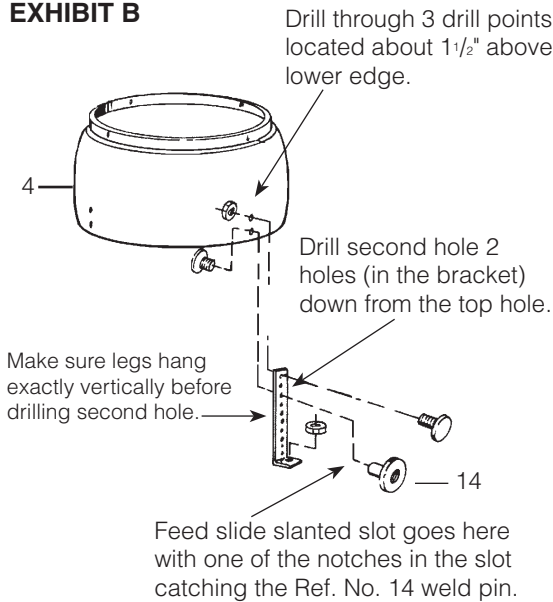


**ASSEMBLY INSTRUCTIONS cont'd**

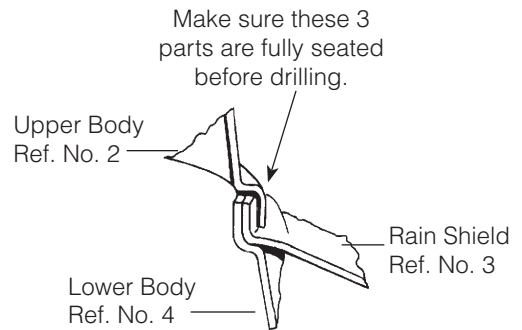
- STEP 6: Drill the holes in the pan for the attachment of the foot of the leg to the pan using a 9/32" bit.
- STEP 7: Attach the feet of the legs to the pan using 1/4-20 x 5/8 weld screws and 1/4-20 nuts. (Ref. Nos. 11 and 12). You will have 3 legs with a game bird feeder and a total of 6 legs if you are adding a GBF1515 extension to your feeder (either 3 or 6 holes). Note that the flat head is usually placed on the outside (or touching the ground) with the nut in the trough. If you want to place the flat head in the trough, you should use a flat washer and a lockwasher on the outside as the nut will cut in to the plastic on the outside of the trough.
- STEP 8: Loosely place the rain shield on the lower body. Make sure it seats.
- STEP 9: Review the height of the rain shield. Lower as you wish by moving the body down on the legs.
- STEP 10: Loosely assemble the three feed adjustment sections (Ref. No. 6) to form a ring. Insert the fasteners from one slide through the slots in another slide. Secure the screw that is welded to the feed slide with a 1/4-20 hex nut.
- NOTE FOR QUAIL FEEDER USERS ONLY: We have many quail feeders in use without the feed slide adjustment (Ref. No. 6). You may want to experiment with a feeder to see if you want to use the feed adjustment on a quail feeder.
- STEP 11: Place the feed adjustment over the lower body. Re-insert the second set (lower) of fasteners (Ref. Nos. 12 and 13) through the slanted slots in the feed adjustment. Tighten these 3 fasteners. Note how the feed slide works. Move the feed slide up and down allowing the Ref. No. 13 weld pin (or weld nut) to catch one of the half moon notches in the slots.
- STEP 12: Tighten the fasteners in the slots of the 3 sections of feed slide. After tightening, make sure you can still maneuver the feed slide.
- STEP 13: Once again, place the rain shield over the lower body and place the upper body over the rain shield. See Exhibit C. Make sure these three pieces fully seat. You may want to turn the entire assembly upside down to make sure that all three parts remain seated while you drill 4 holes (Exhibit D).
- STEP 14: Locate four drill points on the lower edge of the upper body. Use a 3/16" bit and drill through the three parts at the four drill points. See Exhibit E.
- STEP 15: Attach the three parts using four 1/4 x 1 thread cutting screws (Ref. No. 10).
- STEP 16: Attach the chain (Ref. No. 8) to the upper body and cover using two 1/4-20 x 3/4 screws (Ref. No. 9). The screws go through one link at each end of the chain and then are threaded into the molded-in inserts--one on the cover and one on the upper body.

Your feeder is ready to use. Adjust the feed slide as you desire. Feeds vary in how they flow. A ground mash will not flow as readily as cracked corn or a pelleted feed. Keep the slide adjusted so that feed flows freely but so that the pan is only partly full.

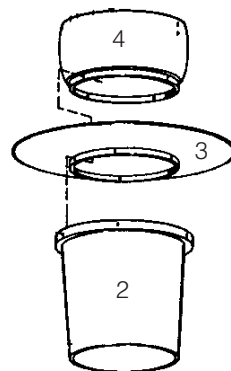
**EXHIBIT B**



**EXHIBIT C**



**EXHIBIT D**



Before drilling, you may want to turn these parts upside down to make sure they are fully seated. A tight fit is intended so you may need to keep nudging these parts into place.

**EXHIBIT E**

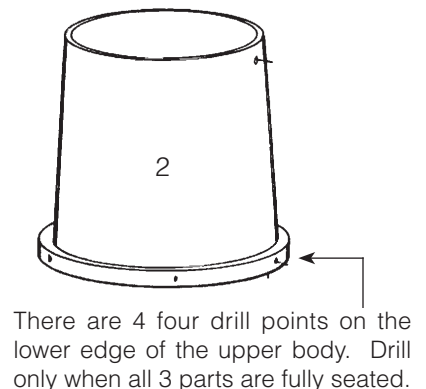
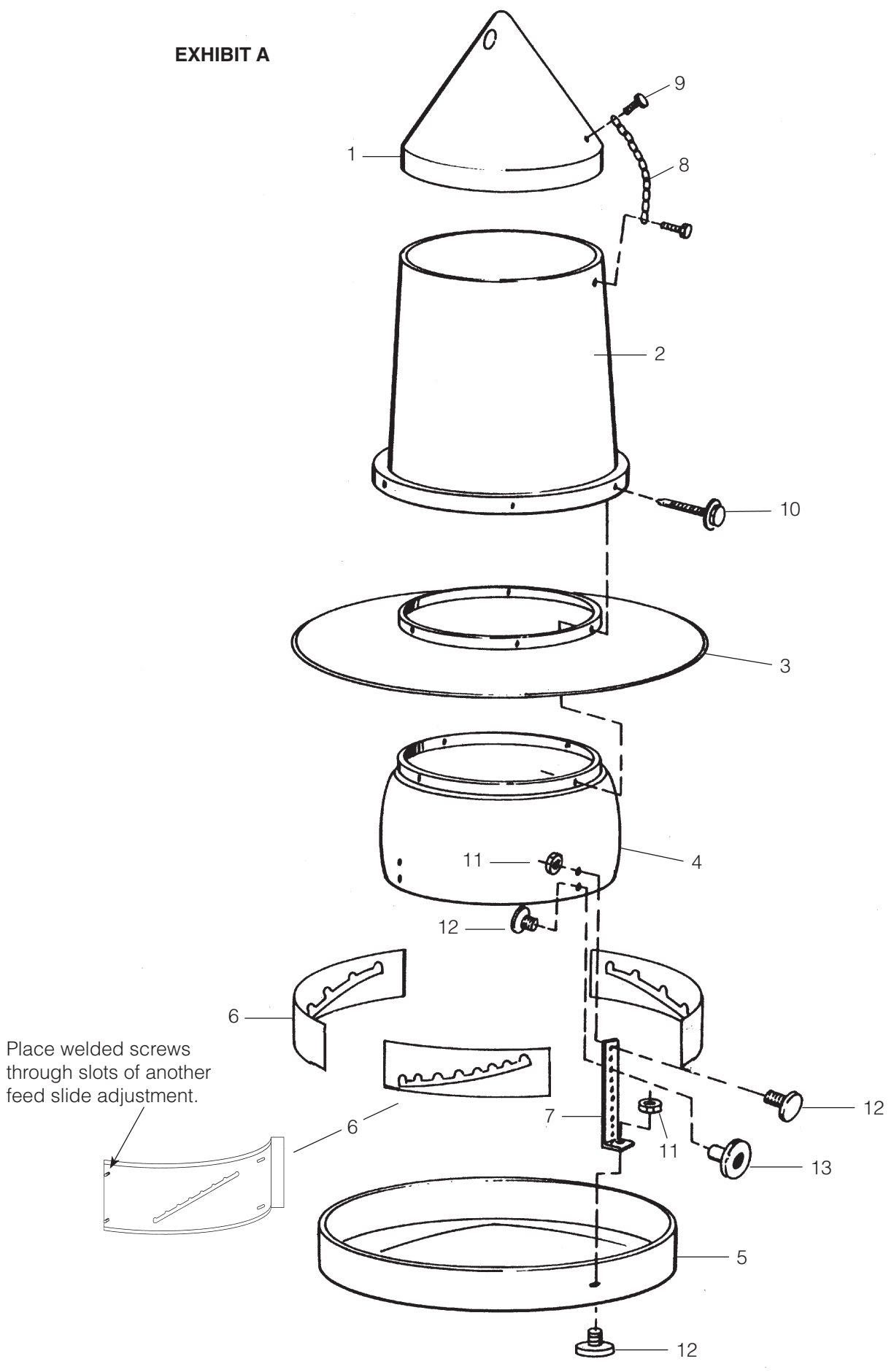


EXHIBIT A



**IMPORTANT - -  
FOR THOSE WHO ARE RECEIVING BULK PACK GAME BIRD  
FEEDERS (FEEDERS PACKED IN CORRUGATED CARTAINERS  
NOT IN 1 - PACK OR 2 - PACK CARTONS)**

Bulk Pack Game Bird Feeders are a very convenient means of shipping this product. There is a cost savings for us and we are glad to share that cost savings with you, the customer.

There is one important thing about Bulk Pack Feeders of which you should be aware. In the plastic molding process, a very important phenomenon is shrink. Shrink will vary from day to day depending upon temperature and humidity. There is no economical way of controlling shrink to very close tolerances on large parts. With an individually packed Game Bird Feeder, those parts come off the machine and go in the carton on the same day. With Bulk Pack Feeders, depending upon the size of the order, there may be a mixing and matching of parts produced on different days. Therefore, it is possible -- depending upon the weather -- that your parts may not fit as well as they should. Here is what you need to do.

Upon receiving your Bulk Pack shipment and before you attach any fasteners, drill any holes, etc., take your upper body (Ref. No. 2), your rain shield (Ref. No. 3) and your lower body (Ref. No. 4). Nest these three parts and make sure that the three parts nest together as shown in the Exhibit D. If you find some that don't fit up very well, move your parts around until you get all parts nesting. You should be able to get all parts to eventually nest.